

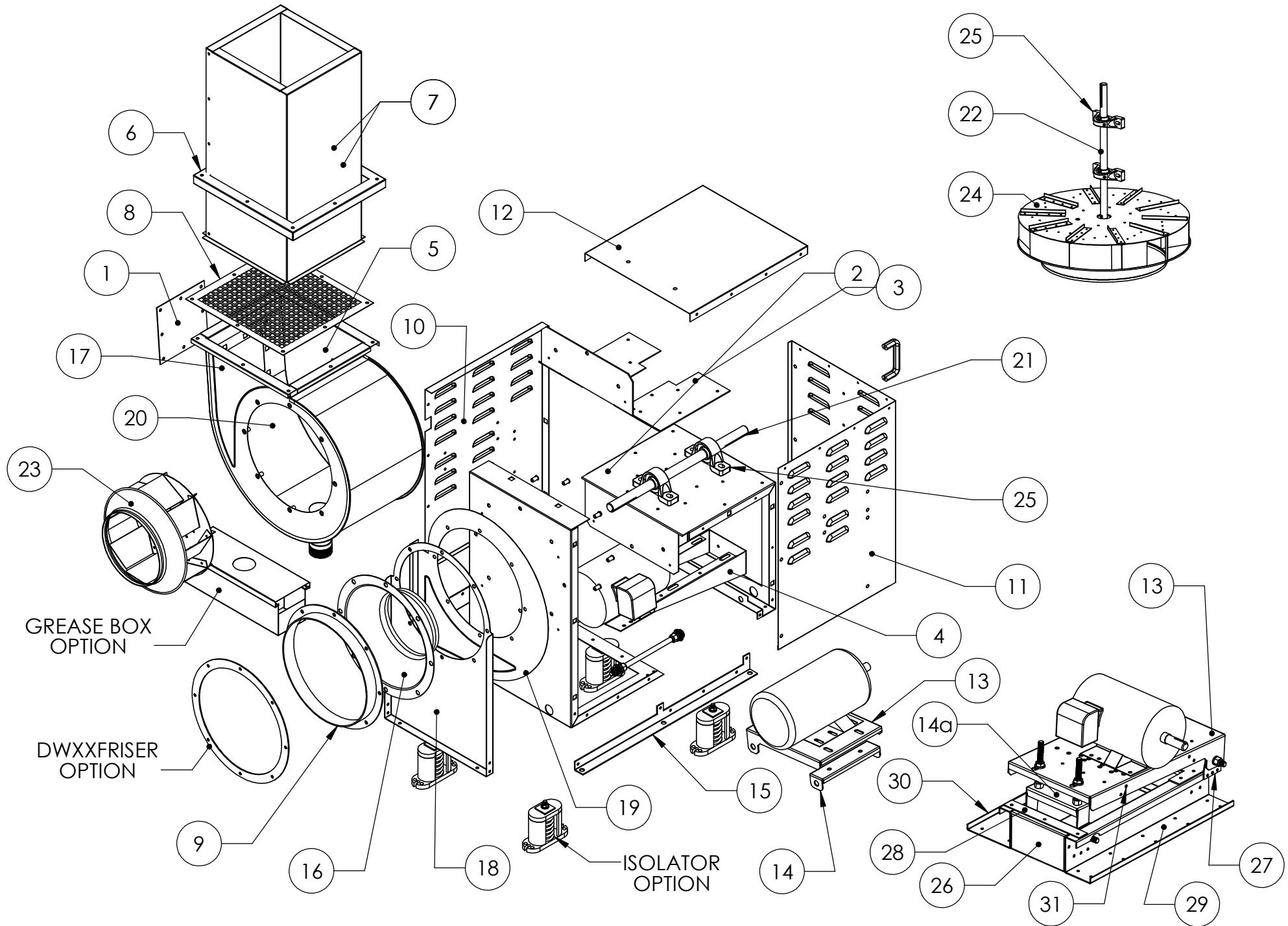
USBI
EXPLODED
VIEWS
10/11/2021

BI - Belt Drive - Small Up Blast Utility Set - 1 of 2

BELT DRIVE - SMALL UP BLAST UTILITY SET - PART INFORMATION

| Item # | Description Of Part | Material | 11 BD | # | 13 BD | # | 15 - 15HP BD | # | 18 - 18HP BD | # | 20 - 20HP BD | # |
|--------|--------------------------|-----------------------|------------------------------|---|------------------------------|---|------------------------------|---|-------------------------------------|---|-------------------------------------|---|
| 1 | Access Door | 16 GA Galvanized | USBISMACCESSDF | 1 | USBISMACCESSDF | 1 | USBISMACCESSDF | 1 | USBISMACCESSDF | 1 | USBISMACCESSDF | 1 |
| 2 | Bearing Plate | 14 GA Galvanized | USB11BEARPLT | 1 | USB13BEARPLT | 1 | USB15BEARPLT | 1 | USB18BEARPLT | 1 | USB20BEARPLT | 1 |
| 3 | Bearing Support Plate | 14 GA Galvanized | USB11BEARPLTSUP | 1 | USB13BEARPLTSUP | 1 | USB15BEARPLTSUP | 1 | USB18BEARPLTSUP | 1 | USB20BEARPLTSUP | 1 |
| 4 | Bearing Stiffener Plate | 14 GA Galvanized | USB111315BEARSTIF | 1 | USB111315BEARSTIF | 1 | USB111315BEARSTIF | 1 | USB18BEARSTIF | 1 | USB20BEARSTIF | 1 |
| 5 | Bottom Scroll Plate | 20 GA Galvanized | USB11BOTSCROLL | 1 | USB13BOTSCROLL | 1 | USB15BOTSCROLL | 1 | USB18BOTSCROLL | 1 | USB20BOTSCROLL | 1 |
| 6 | Discharge Cover | 20 GA Galvanized | USB11DISCOVER | 2 | USB13DISCOVER | 2 | USB15DISCOVER | 2 | USB18DISCOVER | 2 | USB20DISCOVER | 2 |
| 7 | Discharge Extension | 20 GA Galvanized | USB11EXTEN | 2 | USB13EXTEN | 2 | USB15EXTEN | 2 | USB18EXTEN | 2 | USB20EXTEN | 2 |
| 8 | Discharge Screen | 20 GA Galvanized | USB11SCREEN | 1 | USB13SCREEN | 1 | USB15SCREEN | 1 | USB20SCREEN | 1 | USB24SCREEN | 1 |
| 9 | Inlet Ring | 10 GA Aluminized | USB11INRING | 1 | USB13INRING | 1 | USB15INRING | 1 | USB18INRING | 1 | USB20INRING | 1 |
| 10 | Motor Cover Side | 20 GA Galvanized | USB11MCS | 1 | USB13MCS | 1 | USB15MCS | 1 | USB18MCS | 1 | USB20MCS | 1 |
| 11 | Motor Cover Top Side | 20 GA Galvanized | USB11MCTS | 1 | USB13MCTS | 1 | USB15MCTS | 1 | USB18MCTS | 1 | USB20MCTS | 1 |
| 12 | Motor Cover Top | 20 GA Galvanized | USB11MTC | 1 | USB13MTC | 1 | USB15MTC | 1 | USB18MTC | 1 | USB20MTC | 1 |
| 13 | Motor Plate | 12 GA Galvanized | USB11MTRPLT | 1 | USB13MTRPLT | 1 | USB15MTRPLT | 1 | USB1820MTRPLT | 1 | USB1820MTRPLT | 1 |
| 14 | Motor Pivot Plate | 12 GA Galvanized | USB111315MTRPIVPLT | 1 | USB111315MTRPIVPLT | 1 | USB111315MTRPIVPLT | 1 | N/A | | | |
| 14a | Motor Pivot Plate | 12 GA Galvanized | N/A | | | | | | USB1820BDPIVPLT | 1 | USB1820BDPIVPLT | 1 |
| 15 | Side Rails | 12 GA Galvanized | USB11SIDERAIL (L & R) | 2 | USB13SIDERAIL (L & R) | 2 | USB15SIDERAIL (L & R) | 2 | USB18SIDERAIL (L & R) | 2 | USB20SIDERAIL (L & R) | 2 |
| 16 | Spun Inlet | 1100-0 Alum | (.064) F5020011M | 1 | (.080) F5020013MUSBI | 1 | (.080) F5020015MUSBI | 1 | (.080) F5020018MUSBI | 1 | (.080) F5020020MUSBI | 1 |
| 17 | Top Scroll | 20 GA Galvanized | USB11TOPSCROLL | 1 | USB13TOPSCROLL | 1 | USB15TOPSCROLL | 1 | USB18TOPSCROLL | 1 | USB20TOPSCROLL | 1 |
| 18 | Vertical Front Support | 14 GA Galvanized | USB11VERTFRTSUP | 1 | USB13VERTFRTSUP | 1 | USB15VERTFRTSUP | 1 | USB18VERTFRTSUP | 1 | USB20VERTFRTSUP | 1 |
| 19 | Vertical Back Support BD | 14 GA Galvanized | USB11VERTBACKSUPBD | 1 | USB13VERTBACKSUPBD | 1 | USB15VERTBACKSUPBD | 1 | USB18VERTBACKSUPBD | 1 | USB20VERTBACKSUPBD | 1 |
| 20 | Wrapper | 20 GA Galvanized | USB11WRAPPER | 1 | USB13WRAPPER | 1 | USB15WRAPPER | 1 | USB18WRAPPER | 1 | USB20WRAPPER | 1 |
| 21 | Shaft | 1045 Cold Drawn Steel | F2180011USBI | 1 | F2180013USBI | 1 | F2180015USBI | 1 | F2180018USBI | 1 | F2180020USBI | 1 |
| 22 | Shaft HP | 1045 Cold Drawn Steel | F2180015SIFBDHP | 1 | F21800191 | 1 | F2180015USBIHP | 1 | F2180018USBIHP | 1 | F2180020USBIHP | 1 |
| 23 | Wheel | See Assembly Detail | F8010011H-B & H-1 Bushing | 1 | F8010013H-B & H-1 Bushing | 1 | F8010015H-B & H-1 Bushing | 1 | F8010018P1-BD & P1-1-3/16 Bushing | 1 | F8010020P1-BD & P1-1-7/16 Bushing | 1 |
| 24 | Wheel HP | See Assembly Detail | F8010011H-BDHP & H-1 Bushing | 1 | F8010013H-BDHP & H-1 Bushing | 1 | F8010015H-BDHP & H-1 Bushing | 1 | F8010018P1-BDHP & P1-1-3/16 Bushing | 1 | F8010020P1-BDHP & P1-1-7/16 Bushing | 1 |
| 25 | AH Pillow Block Bearings | Steel | UCP205-16-AH-SP4 | 2 | UCP205-16-AH-SP4 | 2 | UCP205-16-AH-SP4 | 2 | UCP206-19-AH-SP5 | 2 | UCP207-23-AH | 2 |
| 26 | Motor End Caps | 12 GA Galvanized | N/A | | | | | | USB1820MPEC | 3 | USB1820MPEC | 3 |
| 27 | Motor Top Pivot Plate | 10 GA Galvanized | N/A | | | | | | USB1820MTRPIVPLT | 1 | USB1820MTRPIVPLT | 1 |
| 28 | Motor Bottom Pivot Plate | 12 GA Galvanized | N/A | | | | | | USB1820MPPIV | 1 | USB1820MPPIV | 1 |
| 29 | Motor Plate Side Right | 12 GA Galvanized | N/A | | | | | | USB1820MPSIDER | 1 | USB1820MPSIDER | 1 |
| 30 | Motor Plate Side Left | 12 GA Galvanized | N/A | | | | | | USB1820MPSIDEL | 1 | USB1820MPSIDEL | 1 |
| 31 | Motor Stiffner Plate | 12 GA Galvanized | N/A | | | | | | USB1820MTRSTIF | 2 | USB1820MTRSTIF | 2 |

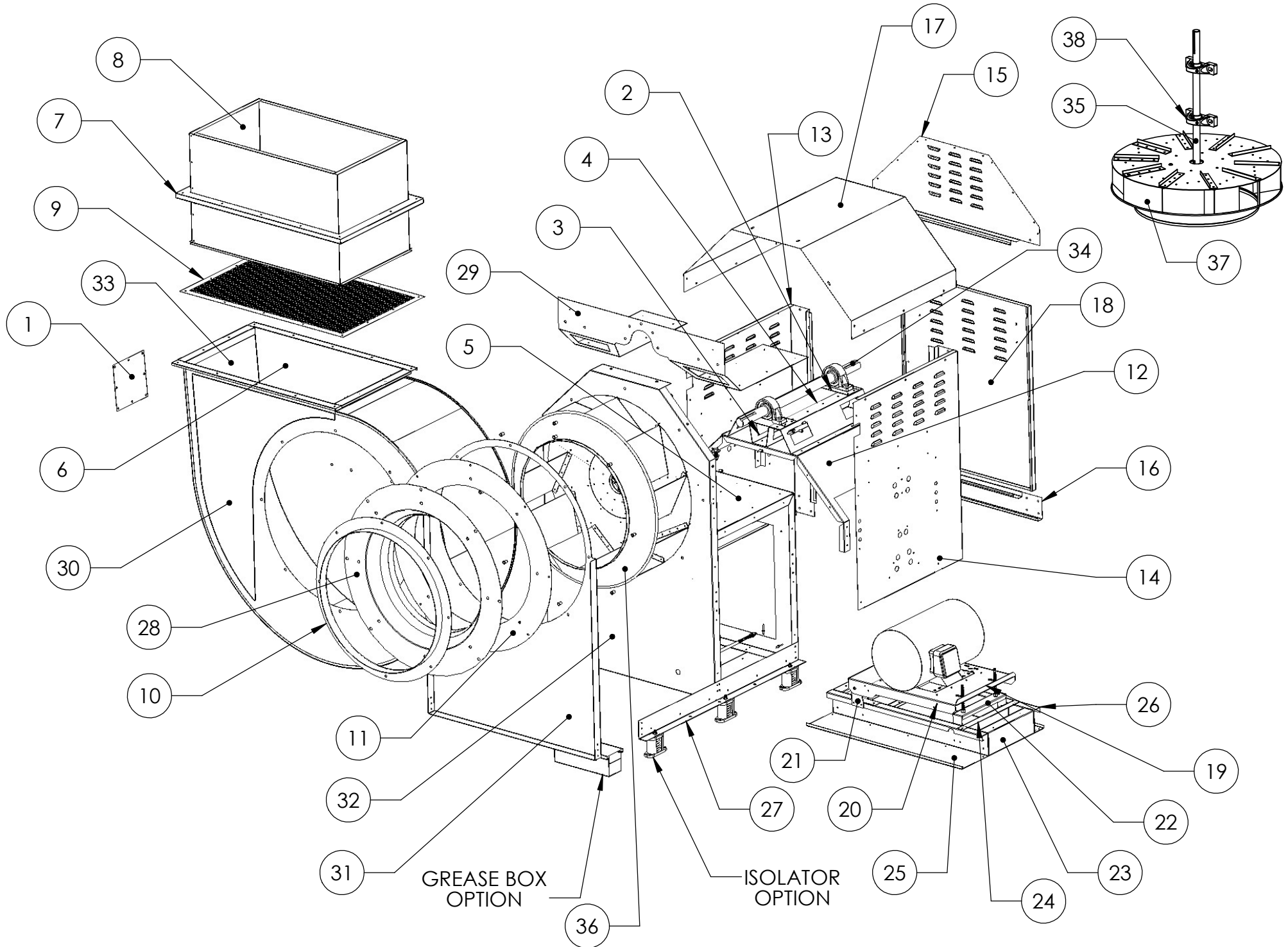
BI - Belt Drive - Small Up Blast Utility Set - 2 of 2



BI - Belt Drive - Large Up Blast Utility Set - 1 of 2

| BELT DRIVE - LARGE UP BLAST UTILITY SET - PART INFORMATION | | | | | | | | |
|--|-----------------------------------|-----------------------|-------------------------------------|---|---------------------------------------|---|--------------------------------------|---|
| Item # | Description Of Part | Material | 24 - 24HP BD | # | 30 - 30HP BD | # | 36 - 36HP BD | # |
| 1 | Access Door | 16 GA Galvanized | USBISMACCESSDF | 1 | USBILGACCESSDF | 1 | USBILGACCESSDF | 1 |
| 2 | Bearing Location Plate | 12 GA Galvanized | USBI24BDBEARLOC | 2 | USBI3036BDBEARLOC | 2 | USBI3036BDBEARLOC | 2 |
| 3 | Bearing Support Stiffener | 12 GA Galvanized | USBI24BESUPSTIFA | 1 | USBI30BESUPSTIF | 1 | USBI36BESUPSTIF | 1 |
| 3 | Bearing Support Stiffener | 13 GA Galvanized | USBI24BESUPSTIFB | 1 | N/A | | | |
| 4 | Bearing Support | 12 GA Galvanized | USBI24BEARSUP | 1 | USBI30BEARSUP | 1 | USBI36BEARSUP | 1 |
| 5 | Bearing Plate | 14 GA Galvanized | USBI24BEARPLT | 1 | USBI30BEARPLT | 1 | USBI36BEARPLT | 1 |
| 6 | Bottom Scroll Plate | 20 GA Galvanized | USBI24BOTSCROLL | 1 | USBI30BOTSCROLL | 1 | USBI36BOTSCROLL | 1 |
| 7 | Discharge Cover | 20 GA Galvanized | USBI24DISCOVER | 2 | USBI30DISCOVER | 2 | USBI36DISCOVER | 2 |
| 8 | Discharge Cover Extension | 20 GA Galvanized | USBI24EXTEN | 2 | USBI30EXTEN | 2 | USBI36EXTEN | 2 |
| 9 | Discharge Screen | 20 GA Galvanized | USBI24SCREEN | 1 | USBI30SCREEN | 1 | USBI36SCREEN | 1 |
| 10 | Inlet Ring | 10 GA Aluminized | USBI24INRING | 1 | USBI30INRING | 1 | USBI36INRING | 1 |
| 11 | Inlet Support Ring | 14 GA Galvanized | N/A | | USBI30INSUP | 1 | USBI36INSUP | 1 |
| 12 | Inside Support | 12 GA Galvanized | USBI24INSUPPLT | 1 | USBI30INSUPPLT | 1 | USBI36INSUPPLT | 1 |
| 13 | Motor Cover Right Side | 20 GA Galvanized | USBI24MTCOVRTSID | 1 | USBI30MTCOVRTSID | 1 | USBI36MTCOVRTSID | 1 |
| 14 | Motor Cover Left Side | 20 GA Galvanized | USBI24MTCOVLTSID | 1 | USBI30MTCOVLTSID | 1 | USBI36MTCOVLTSID | 1 |
| 15 | Motor Cover Front | 20 GA Galvanized | USBI24MTCOVTOPFRT | 1 | USBI30MTCOVTOPFRT | 1 | USBI36MTCOVTOPFRT | 1 |
| 16 | Motor Cover Bottom | 20 GA Galvanized | USBI24MTCOVBOT | 1 | USBI30MTCOVBOT | 1 | USBI36MTCOVBOT | 1 |
| 17 | Motor Cover Top | 20 GA Galvanized | USBI24MTCOVTOP | 1 | USBI30MTCOVTOP | 1 | USBI36MTCOVTOP | 1 |
| 18 | Motor Cover Removable Front Panel | 20 GA Galvanized | USBI24REMCOVFRT | 1 | USBI30REMCOVFRT | 1 | USBI36REMCOVFRT | 1 |
| 19 | Motor Plate | 10 GA Galvanized | USBI2430MTPLT | 1 | USBI2430MTPLT | 1 | USBI36MTPLT | 1 |
| 20 | Motor Plate Stiffener | 10 GA Galvanized | USBI2430MTRSTIF | 1 | USBI2430MTRSTIF | 1 | USBI36MTRSTIF | 2 |
| 21 | Motor Pivot Plate Back | 10 GA Galvanized | USBI2430MTRPIVPLT | 1 | USBI2430MTRPIVPLT | 1 | USBI36MTRPIVPLT | 1 |
| 22 | Motor Pivot Plate | 10 GA Galvanized | USBI2430BDPIVPLT | 1 | USBI2430BDPIVPLT | 1 | USBI36BDPIVPLT | 1 |
| 23 | Motor End Cap | 12 GA Galvanized | USBI2430MPEC | 3 | USBI2430MPEC | 3 | USBI36MPEC | 3 |
| 24 | Motor Pivot Plate Front | 12 GA Galvanized | USBI2430MPPIV | 1 | USBI2430MPPIV | 1 | USBI36MPPIV | 1 |
| 25 | Motor Plate Left Side | 12 GA Galvanized | USBI24MPSIDEL | 1 | USBI30MPSIDEL | 1 | USBI36MPSIDEL | 1 |
| 26 | Motor Plate Right Side | 12 GA Galvanized | USBI24MPSIDER | 1 | USBI30MPSIDER | 1 | USBI36MPSIDER | 1 |
| 27 | Side Support Rails | 12 GA Galvanized | USBI24SIDERAIL | 2 | USBI30SIDERAIL | 2 | USBI36SIDERAIL | 1 |
| 28 | Spun Inlet | 1100-0 Alum | (.080) F5020024MUSBI | 1 | (.080) F5020030M | 1 | (.080) F5020036M | 1 |
| 29 | Top Support Plate BD | 12 GA Galvanized | USBI24BDTOPSUPPLT | 1 | USBI30BDTOPSUPPLT | 1 | USBI36BDTOPSUPPLT | 1 |
| 30 | Top Scroll | 20 GA Galvanized | USBI24TOPSCROLL | 1 | USBI30TOPSCROLL | 1 | USBI36TOPSCROLL | 1 |
| 31 | Vertical Front Support | 14 GA Galvanized | USBI24VERTFRTSUP | 1 | USBI30FRONTSUP | 1 | USBI36FRONTSUP | 1 |
| 32 | Vertical Back Support BD | 14 GA Galvanized | USBI24VRTBCKSUPBD | 1 | USBI30VRTBCKSUPBD | 1 | USBI36VRTBCKSUPBD | 1 |
| 33 | Wrapper | 20 GA Galvanized | USBI24WRAPPER | 1 | USBI30WRAPPER | 1 | USBI36WRAPPER | 1 |
| 34 | Shaft | 1045 Cold Drawn Steel | F2180024USBI | 1 | F2180030USBI | 1 | F2180030USBIHP | 1 |
| 35 | Shaft HP | 1045 Cold Drawn Steel | F2180024USBIHP | 1 | F2180030USBIHP | 1 | F2180036USBIHP | 1 |
| 36 | Wheel | See Assembly Detail | F8010024P1-BD & P1-1-7/16 Bushing | 1 | F8010030Q1-BD & Q1-1-15/16 Bushing | 1 | F8010036Q1-BD & Q1-1-15/16 Bushing | 1 |
| 37 | Wheel HP | See Assembly Detail | F8010024P1-BDHP & P1-1-7/16 Bushing | 1 | F8010030UQ1-BDHP & Q1-1-15/16 Bushing | 1 | F8010036Q1-BDHP & Q1-1-15/16 Bushing | 1 |
| 38 | AH Pillow Block Bearings | Steel | UCP207-23-AH | 2 | UCP210-31-AH | 2 | UCP210-31-AH | 2 |

BI - Belt Drive - Large Up Blast Utility Set - 2 of 2

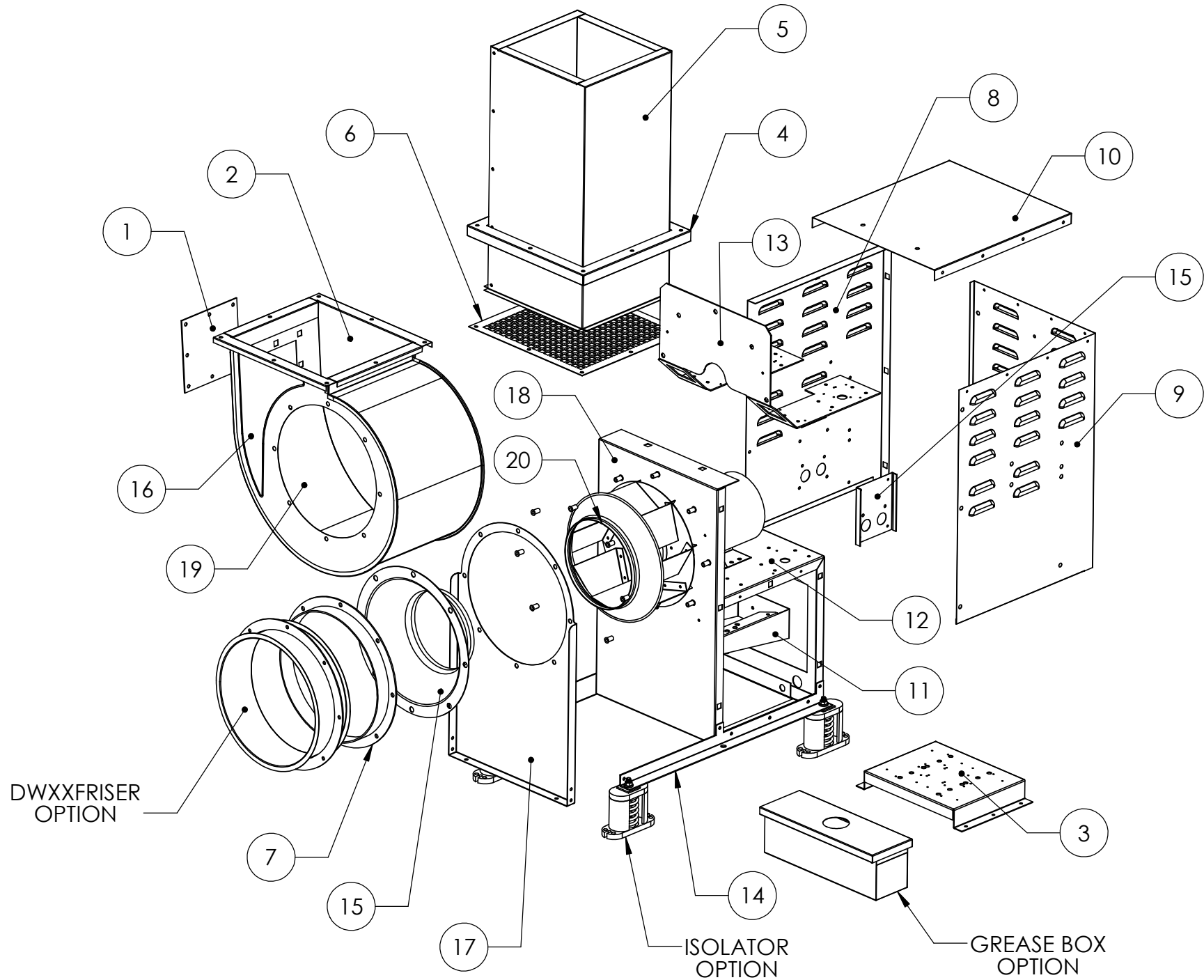


BI - Direct Drive - Small Up Blast Utility Set - 1 of 2

DIRECT DRIVE - SMALL UP BLAST UTILITY SET - PART INFORMATION

| Item # | Description Of Part | Material | 11 DD | # | 13 DD | # | 15 DD | # | 18 DD | # | 20 DD | # |
|--------|--------------------------|---------------------|-----------------------------|---|-----------------------------|---|-----------------------------|---|------------------------------|---|------------------------------|---|
| 1 | Access Door | 16 GA Galvanized | USBISMACCESSDF | 1 | USBISMACCESSDF | 1 | USBISMACCESSDF | 1 | USBISMACCESSDF | 1 | USBISMACCESSDF | 1 |
| 2 | Bottom Scroll | 20 GA Galvanized | USBI11BOTSCROLL | 1 | USBI13BOTSCROLL | 1 | USBI15BOTSCROLL | 1 | USBI18BOTSCROLL | 1 | USBI20BOTSCROLL | 1 |
| 3 | Bottom Plate DD | 14 GA Galvanized | USBI11BOTPLTDD | 1 | USBI13BOTPLTDD | 1 | USBI15BOTPLTDD | 1 | USBI1820BOTPLTDD | 1 | USBI1820BOTPLTDD | 1 |
| 4 | Discharge Cover | 20 GA Galvanized | USBI11DISCOVER | 2 | USBI13DISCOVER | 2 | USBI15DISCOVER | 2 | USBI18DISCOVER | 2 | USBI20DISCOVER | 2 |
| 5 | Discharge Extension | 20 GA Galvanized | USBI11EXTEN | 2 | USBI13EXTEN | 2 | USBI15EXTEN | 2 | USBI18EXTEN | 2 | USBI20EXTEN | 2 |
| 6 | Discharge Screen | 20 GA Galvanized | USBI11SCREEN | 1 | USBI13SCREEN | 1 | USBI15SCREEN | 1 | USBI18SCREEN | 1 | USBI20SCREEN | 1 |
| 7 | Inlet Ring | 10 GA Aluminized | USBI11INRING | 1 | USBI13INRING | 1 | USBI15INRING | 1 | USBI18INRING | 1 | USBI20INRING | 1 |
| 8 | Motor Cover Side | 20 GA Galvanized | USBI11MCS | 1 | USBI13MCS | 1 | USBI15MCS | 1 | USBI18MCS | 1 | USBI20MCS | 1 |
| 9 | Motor Cover Top Side | 20 GA Galvanized | USBI11MCTS | 1 | USBI13MCTS | 1 | USBI15MCTS | 1 | USBI18MCTS | 1 | USBI20MCTS | 1 |
| 10 | Motor Cover Top | 20 GA Galvanized | USBI11MTC | 1 | USBI13MTC | 1 | USBI15MTC | 1 | USBI18MTC | 1 | USBI20MTC | 1 |
| 11 | Motor Stiffener Plate DD | 14 GA Galvanized | USBI11MOTORSTIFDD | 1 | USBI1315MOTORSTIFDD | 1 | USBI1315MOTORSTIFDD | 1 | USBI18MOTORSTIFDD | 1 | USBI20MOTORSTIFDD | 1 |
| 12 | Motor Plate DD | 14 GA Galvanized | USBI11MTRPLTDD | 1 | USBI13MTRPLTDD | 1 | USBI15MTRPLTDD | 1 | USBI18MTRPLTDD | 1 | USBI20MTRPLTDD | 1 |
| 13 | Motor Plate Support DD | 14 GA Galvanized | USBI11MTRPLTSUPDD | 1 | USBI13MTRPLTSUPDD | 1 | USBI15MTRPLTSUPDD | 1 | USBI18MTRPLTSUPDD | 1 | USBI20MTRPLTSUPDD | 1 |
| 14 | Side Rails | 12 GA Galvanized | USBI11SIDERAIL (L & R) | 2 | USBI13SIDERAIL (L & R) | 2 | USBI15SIDERAIL (L & R) | 2 | USBI18SIDERAIL (L & R) | 2 | USBI20SIDERAIL (L & R) | 2 |
| 15 | Spun Inlet | 1100-0 Alum | (.064) F5020011M | 1 | (.080) F5020013MUSBI | 1 | (.080) F5020015MUSBI | 1 | (.080) F5020018MUSBI | 1 | (.080) F5020020MUSBI | 1 |
| 16 | Top Scroll | 20 GA Galvanized | USBI11TOPSCROLL | 1 | USBI13TOPSCROLL | 1 | USBI15TOPSCROLL | 1 | USBI18TOPSCROLL | 1 | USBI20TOPSCROLL | 1 |
| 17 | Vertical Front Support | 14 GA Galvanized | USBI11VERTFRTSUP | 1 | USBI13VERTFRTSUP | 1 | USBI15VERTFRTSUP | 1 | USBI18VERTFRTSUP | 1 | USBI20VERTFRTSUP | 1 |
| 18 | Vertical Back Support DD | 14 GA Galvanized | USBI11VERTBACKSUPDD | 1 | USBI13VERTBACKSUPDD | 1 | USBI15VERTBACKSUPDD | 1 | USBI18VERTBACKSUPDD | 1 | USBI20VERTBACKSUPDD | 1 |
| 19 | Wrapper | 20 GA Galvanized | USBI11WRAPPER | 1 | USBI13WRAPPER | 1 | USBI15WRAPPER | 1 | USBI18WRAPPER | 1 | USBI20WRAPPER | 1 |
| 20a | Wheel | See Assembly Detail | F8010011H-B & Motor Bushing | 1 | F8010013H-B & Motor Bushing | 1 | F8010015H-B & Motor Bushing | 1 | F8010018P1-B & Motor Bushing | 1 | F8010020P1-B & Motor Bushing | 1 |

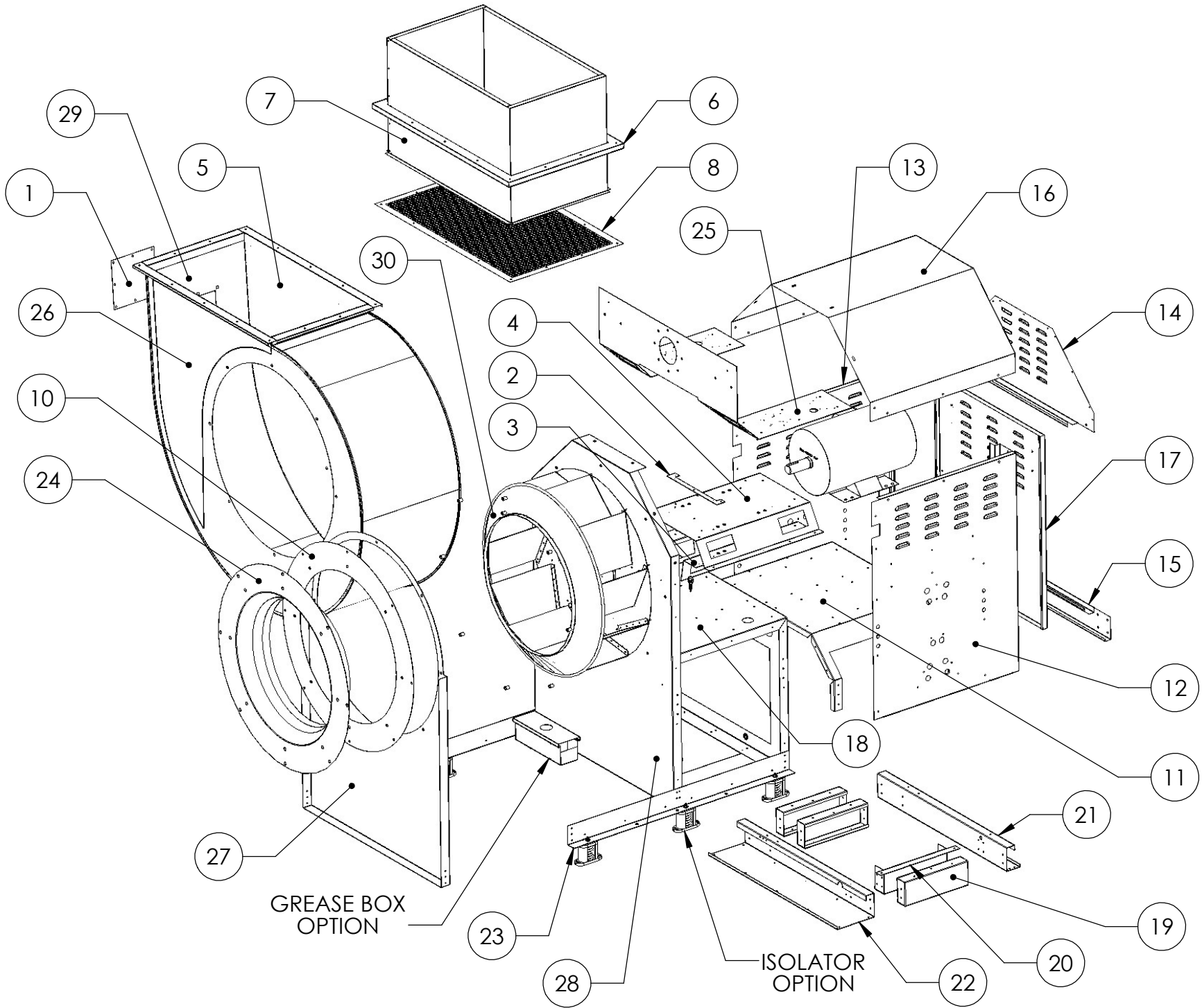
BI - Direct Drive - Small Up Blast Utility Set - 2 of 2



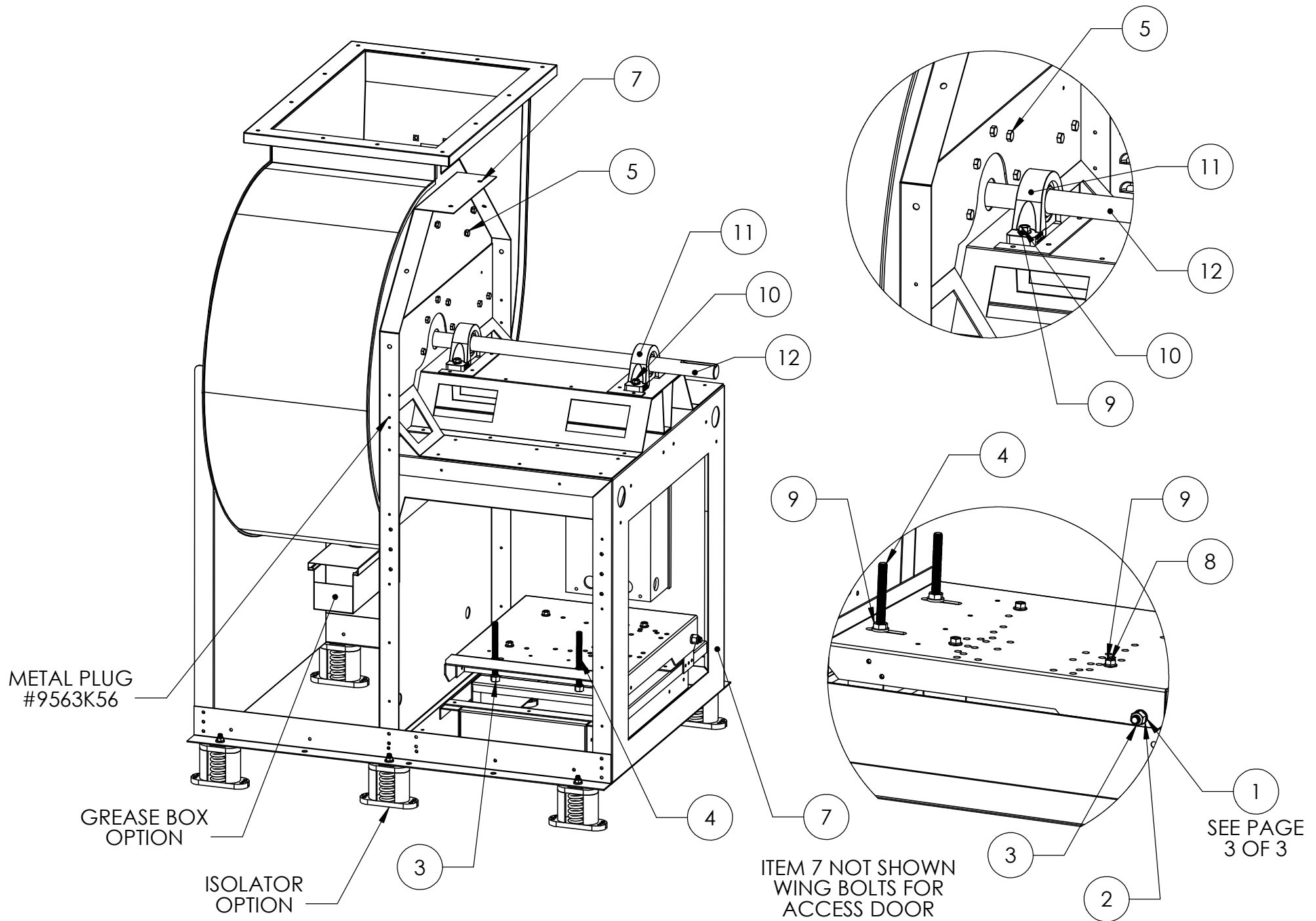
BI - Direct Drive - Large Up Blast Utility Set - 1 of 2

| DIRECT DRIVE - LARGE UP BLAST UTILITY SET - PART INFORMATION | | | | | | | | |
|--|-----------------------------------|---------------------|------------------------------|---|------------------------------|---|------------------------------|---|
| Item # | Description Of Part | Material | 24 DD | # | 30 DD | # | 36 DD | # |
| 1 | Access Door | 16 GA Galvanized | USBISMACCESSDF | 1 | USBILGACCESSDF | 1 | USBILGACCESSDF | 1 |
| 2 | Motor Location Plate | 12 GA Galvanized | USBI2430MOTORLOCDD | 1 | USBI2430MOTORLOCDD | 1 | USBI36MOTORLOCDD | 1 |
| 3 | Motor Plate Stiffener | 12 GA Galvanized | USBI24DDMTSUPSTIF | 1 | USBI30DDMTSUPSTIF | 1 | USBI36DDMTSUPSTIF | 1 |
| 4 | Motor Plate Support | 12 GA Galvanized | USBI24DDMTSUPPLT | 1 | USBI30DDMTSUPPLT | 1 | USBI36DDMTSUPPLT | 1 |
| 5 | Bottom Scroll Plate | 20 GA Galvanized | USBI24BOTSCROLL | 1 | USBI30BOTSCROLL | 1 | USBI36BOTSCROLL | 1 |
| 6 | Discharge Cover | 20 GA Galvanized | USBI24DISCOVER | 2 | USBI30DISCOVER | 2 | USBI36DISCOVER | 2 |
| 7 | Discharge Cover Extension | 20 GA Galvanized | USBI24EXTEN | 2 | USBI30EXTEN | 2 | USBI36EXTEN | 2 |
| 8 | Discharge Screen | 20 GA Galvanized | USBI24SCREEN | 1 | USBI30SCREEN | 1 | USBI36SCREEN | 1 |
| 9 | Inlet Ring | 10 GA Aluminized | USBI24INRING | 1 | USBI30INRING | 1 | USBI36INRING | 1 |
| 10 | Inlet Support Ring | 14 GA Galvanized | N/A | | USBI30INSUP | 1 | USBI36INSUP | 1 |
| 11 | Inside Support DD | 12 GA Galvanized | USBI24DDINSUPPLT | 1 | USBI30DDINSUPPLT | 1 | USBI36DDINSUPPLT | 1 |
| 12 | Motor Cover Left Side | 20 GA Galvanized | USBI24MTCOVLTSID | 1 | USBI30MTCOVLTSID | 1 | USBI36MTCOVLTSID | 1 |
| 13 | Motor Cover Right Side | 20 GA Galvanized | USBI24MTCOVRTSID | 1 | USBI30MTCOVRTSID | 1 | USBI36MTCOVRTSID | 1 |
| 14 | Motor Cover Front | 20 GA Galvanized | USBI24MTCOVTOPFRT | 1 | USBI30MTCOVTOPFRT | 1 | USBI36MTCOVTOPFRT | 1 |
| 15 | Motor Cover Bottom | 20 GA Galvanized | USBI24MTCOVBOT | 1 | USBI30MTCOVBOT | 1 | USBI36MTCOVBOT | 1 |
| 16 | Motor Cover Top | 20 GA Galvanized | USBI24MTCOVTOP | 1 | USBI30MTCOVTOP | 1 | USBI36MTCOVTOP | 1 |
| 17 | Motor Cover Removable Front Panel | 20 GA Galvanized | USBI24REMCOVFRT | 1 | USBI30REMCOVFRT | 1 | USBI36REMCOVFRT | 1 |
| 18 | Motor Plate | 14 GA Galvanized | USBI24MTRPLTDD | 1 | USBI30MTRPLTDD | 1 | USBI36MTRPLTDD | 1 |
| 19 | Motor End Cap | 12 GA Galvanized | USBI2430MPEC | 3 | USBI2430MPEC | 3 | USBI36MPEC | 3 |
| 20 | Motor Pivot Plate Front | 12 GA Galvanized | USBI2430MPPIV | 1 | USBI2430MPPIV | 1 | USBI36MPPIV | 1 |
| 21 | Motor Plate Left Side | 12 GA Galvanized | USBI24MPSIDEL | 1 | USBI30MPSIDEL | 1 | USBI36MPSIDEL | 1 |
| 22 | Motor Plate Right Side | 12 GA Galvanized | USBI24MPSIDER | 1 | USBI30MPSIDER | 1 | USBI36MPSIDER | 1 |
| 23 | Side Support Rails | 12 GA Galvanized | USBI24SIDERAIL | 2 | USBI30SIDERAIL | 2 | USBI36SIDERAIL | 1 |
| 24 | Spun Inlet | 1100-0 Alum | (.080) F5020024MUSBI | 1 | (.080) F5020030M | 1 | (.080) F5020036M | 1 |
| 25 | Top Support Plate DD | 12 GA Galvanized | USBI24DDTOPSUPPLT | 1 | USBI30DDTOPSUPPLT | 1 | USBI36DDTOPSUPPLT | 1 |
| 26 | Top Scroll | 20 GA Galvanized | USBI24TOPSCROLL | 1 | USBI30TOPSCROLL | 1 | USBI36TOPSCROLL | 1 |
| 27 | Vertical Front Support | 14 GA Galvanized | USBI24VERTFRFSUP | 1 | USBI30FRONTSUP | 1 | USBI36FRONTSUP | 1 |
| 28 | Vertical Back Support DD | 14 GA Galvanized | USBI24VRTBCKSUPDD | 1 | USBI30VRTBCKSUPDD | 1 | USBI36VRTBCKSUPDD | 1 |
| 29 | Wrapper | 20 GA Galvanized | USBI24WRAPPER | 1 | USBI30WRAPPER | 1 | USBI36WRAPPER | 1 |
| 30 | Wheel | See Assembly Detail | F8010024P1-B & Motor Bushing | 1 | F8010030Q1-T & Motor Bushing | 1 | F8010036Q1-T & Motor Bushing | 1 |

BI - Direct Drive - Large Up Blast Utility Set - 2 of 2

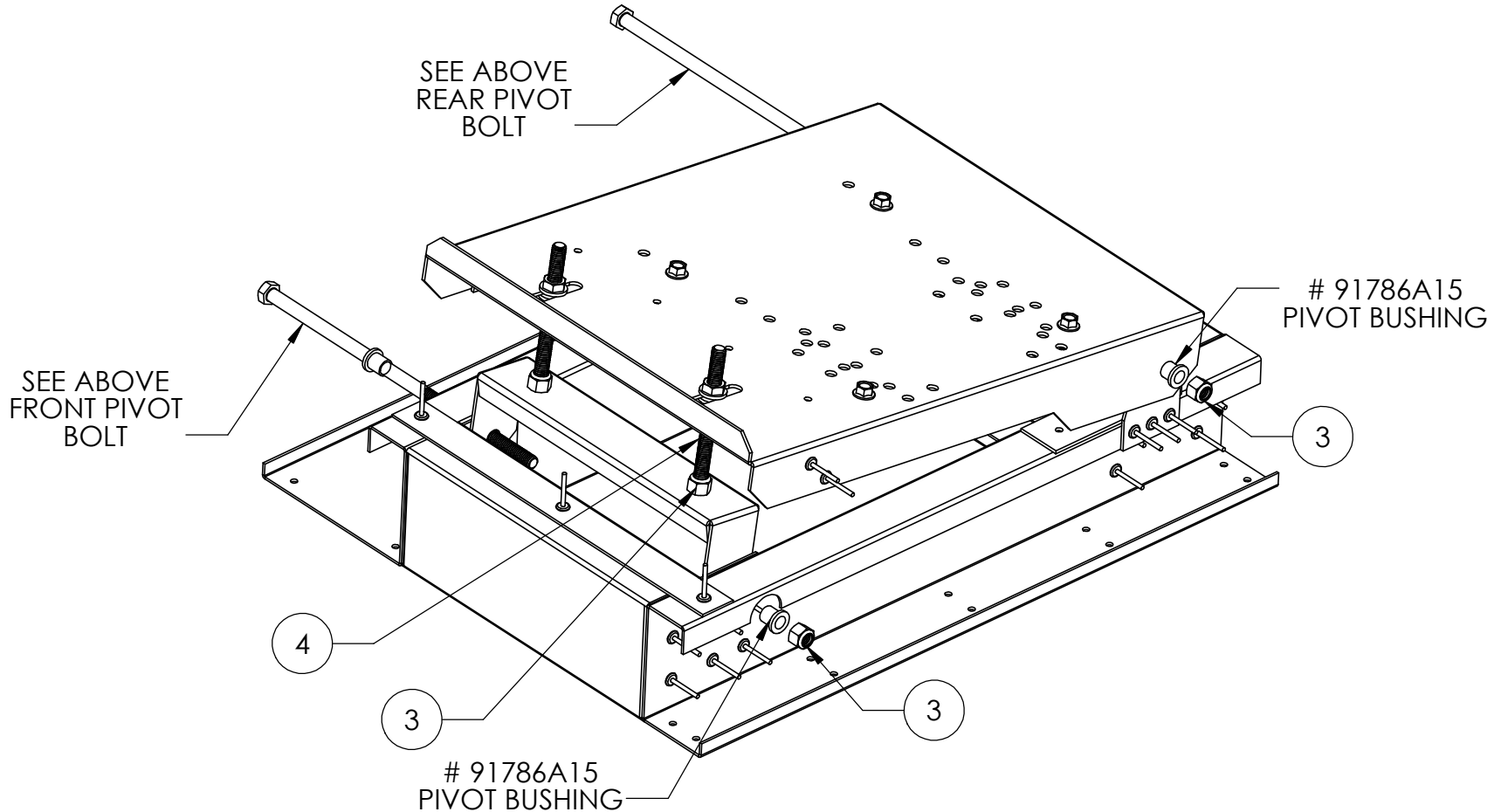


BI BD - Hardware - Up Blast Utility Set - 2 of 3

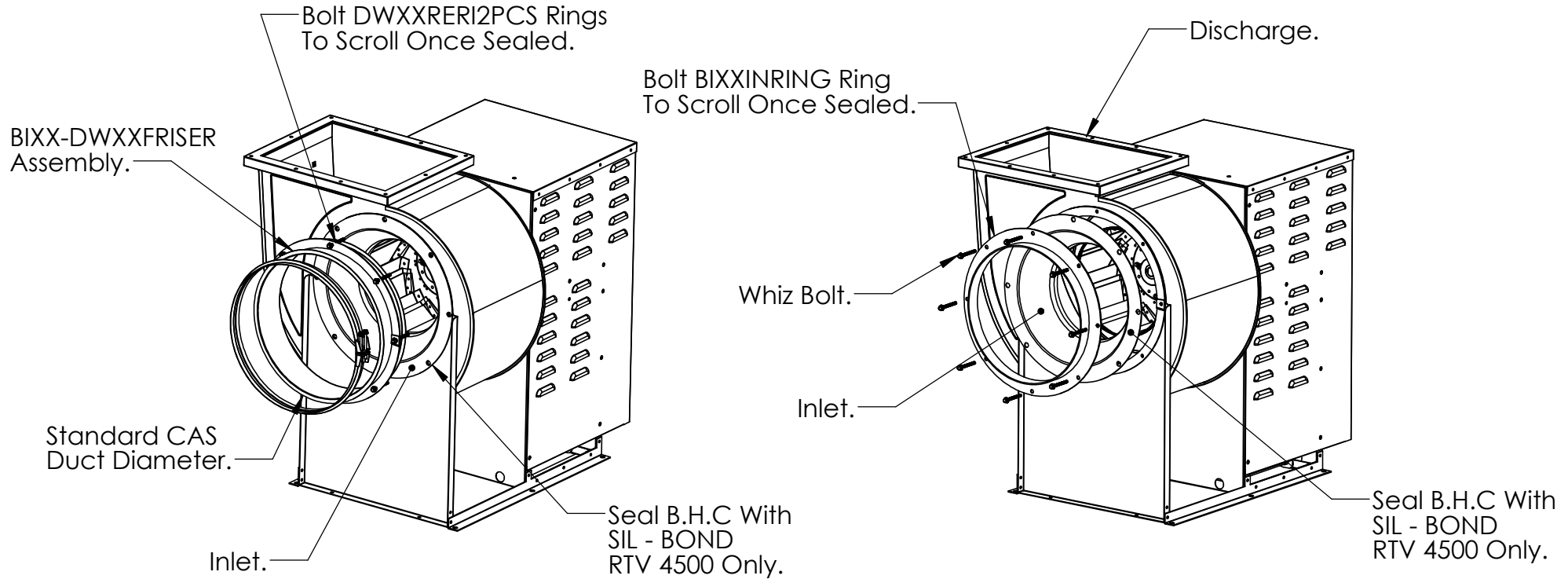


BI BD - Hardware - Up Blast Utility Set - 3 of 3

| USBI PIVOT BOLT HARDWARE | | | | |
|--------------------------|--------------------|-------------|-----------------|-------------|
| Unit Size | Front Pivot Bolt | Part Number | Rear Pivot Bolt | Part Number |
| 11 | 1/2" - 13 X 10" | 115121310Z | 1/2" - 13 X 11" | 115121311Z |
| 13 | 1/2" - 13 X 10" | 115121310Z | 1/2" - 13 X 11" | 115121311Z |
| 15 | 1/2" - 13 X 10" | 115121310Z | 1/2" - 13 X 11" | 115121311Z |
| 18 | 1/2" - 13 X 8 1/2" | 1151213812Z | 1/2" - 13 X 12" | 115121312Z |
| 20 | 1/2" - 13 X 8 1/2" | 1151213812Z | 1/2" - 13 X 12" | 115121312Z |
| 24 | 1/2" - 13 X 14" | 798A0021178 | 1/2" - 13 X 20" | 798A0021181 |
| 30 | 1/2" - 13 X 14" | 798A0021178 | 1/2" - 13 X 20" | 798A0021181 |
| 36 | 1/2" - 13 X 16" | 115121316Z | 1/2" - 13 X 22" | 115121322Z |



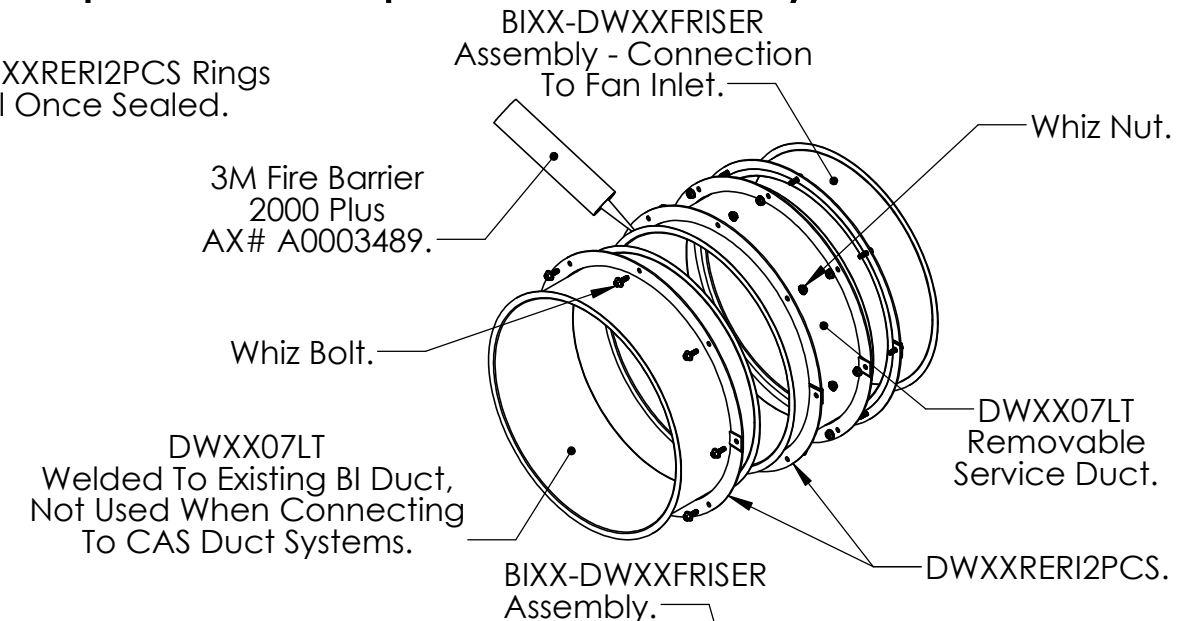
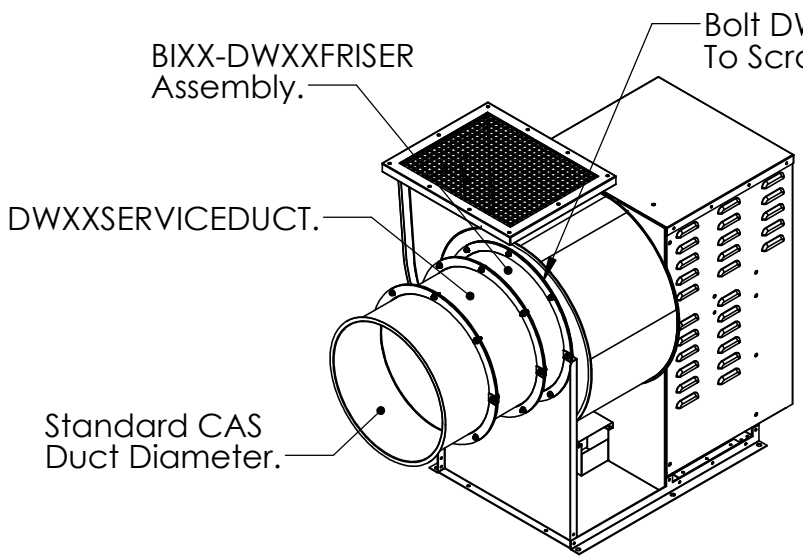
Inlet Options - Up Blast Utility Set



Inlet Service Duct Connections

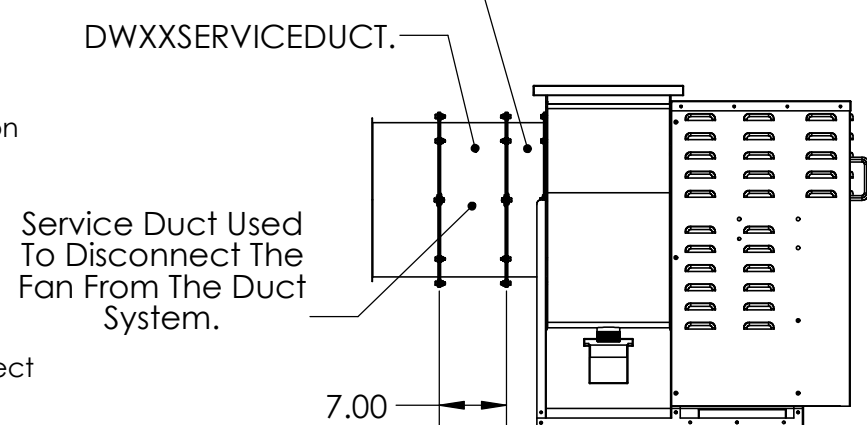
| Fan Size | Duct Diameter | Inlet Connection | Inlet Rings | Quantity | Duct Riser | Quantity | Whiz Bolt | Quantity |
|----------|---------------|-----------------------|-------------------------------|----------|------------|----------|---------------------------|----------|
| 11 | 12" | BI11-DW12FRISER | A0028896 / DW12RERI2PCS | 2 | DW12RISER | 1 | A0005696 / 1/4-20 X 1 1/2 | 8 |
| 13 | 14" | BI13-DW14FRISER | A0028897 / DW14RERI2PCS | 2 | DW14RISER | 1 | A0005696 / 1/4-20 X 1 1/2 | 8 |
| 15 | 16" | BI15-DW16FRISER | A0028898 / DW16RERI2PCS | 2 | DW16RISER | 1 | A0005696 / 1/4-20 X 1 1/2 | 8 |
| 18 | 20" | BI18-DW20FRISER | A0028900 / DW20RERI2PCS | 2 | DW20RISER | 1 | A0005696 / 1/4-20 X 1 1/2 | 8 |
| 20 | 20" | BI20-DW20FRISER | A0028901 / DW20RERIUSBI202PCS | 2 | DW20RISER | 1 | A0005696 / 1/4-20 X 1 1/2 | 8 |
| 24 | 24" | BI24-DW24FRISER | A0028904 / DW24RERIUSBI242PCS | 2 | DW24RISER | 1 | A0005678 / 3/8-16 X 1 1/2 | 8 |
| 30 | 24" | BI30-DW24FRISER | A0028905 / DW24RERIUSBI302PCS | 2 | DW24RISER | 1 | A0005678 / 3/8-16 X 1 1/2 | 8 |
| 36 | 30" | BI36-DW30FRISER | A0030879 / DW30RERIUSBI362PCS | 2 | DW30RISER | 1 | A0005678 / 3/8-16 X 1 1/2 | 8 |
| 11 | 12" | A0023766 / BI11INRING | N/A | | N/A | | A0005696 / 1/4-20 X 1 1/2 | 8 |
| 13 | 14" | A0023767 / BI13INRING | N/A | | N/A | | A0005696 / 1/4-20 X 1 1/2 | 8 |
| 15 | 16" | A0023768 / BI15INRING | N/A | | N/A | | A0005696 / 1/4-20 X 1 1/2 | 8 |
| 18 | 20" | A0023769 / BI18INRING | N/A | | N/A | | A0005696 / 1/4-20 X 1 1/2 | 8 |
| 20 | 20" | A0023770 / BI20INRING | N/A | | N/A | | A0005696 / 1/4-20 X 1 1/2 | 8 |
| 24 | 24" | A0023771 / BI24INRING | N/A | | N/A | | A0005678 / 3/8-16 X 1 1/2 | 8 |
| 30 | 24" | A0023772 / BI30INRING | N/A | | N/A | | A0005678 / 3/8-16 X 1 1/2 | 8 |
| 36 | 30" | A0023773 / BI36INRING | N/A | | N/A | | A0005678 / 3/8-16 X 1 1/2 | 8 |

Inlet Service Duct Option - Up Blast Utility Set



Service Duct Instructions:

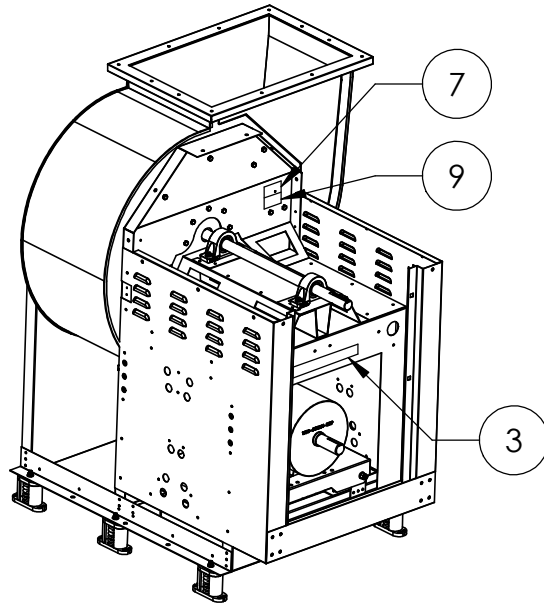
1. Service duct kits come with (2) 7" long duct sections, (8) riser rings, and installation hardware.
2. Service duct kits allow a quick disconnect between the fan inlet and the duct system.
3. Service duct flanges need to be sealed using 3M Fire Barrier 2000 Plus only.
4. Once sealed the service duct is secured using bolt together riser rings.
5. The first 7" long duct section can be welded directly to existing duct systems.
6. If connecting to CAS duct the first 7" long duct section can be discarded, connect the service duct directly to CAS listed duct.



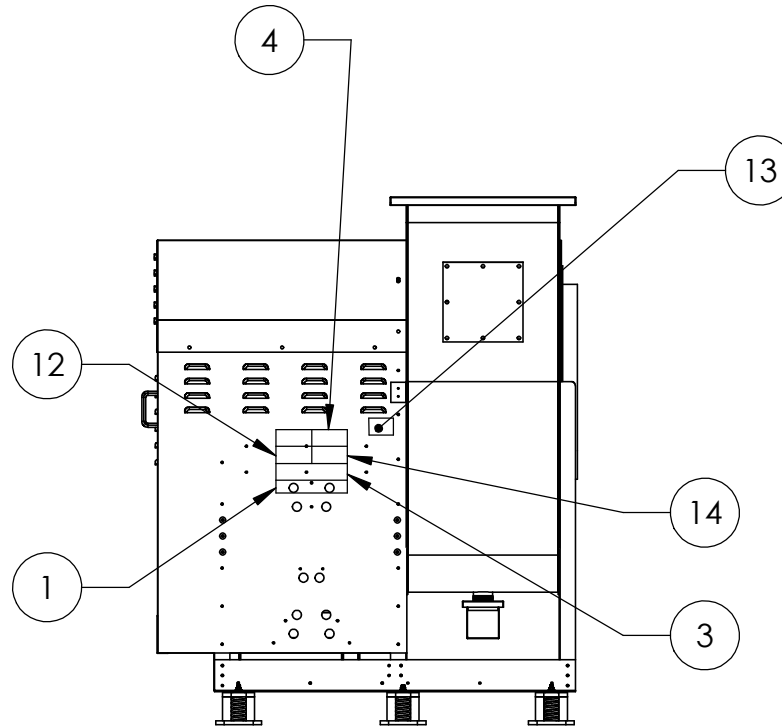
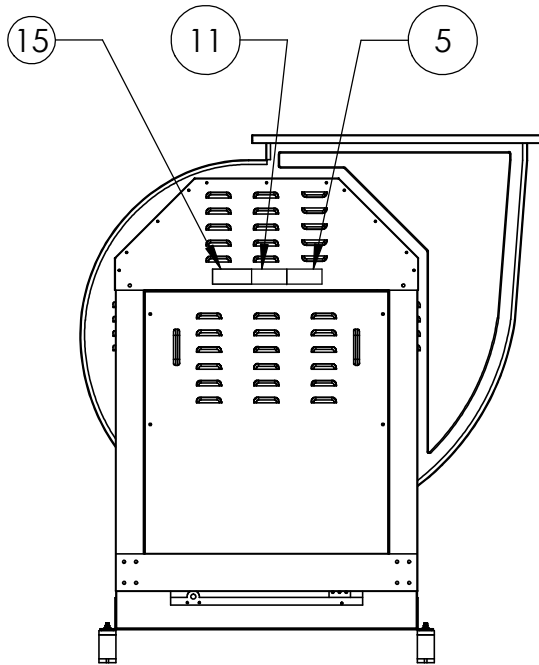
Inlet Service Duct Connections

| Fan Size | Duct Diameter | Inlet Connection Assembly | Duct LT | Quantity | Riser Rings | Quantity | Whiz Bolt | Quantity | Whiz Nut | Quantity |
|----------|---------------|---------------------------|----------|----------|-------------------------|----------|-----------------------|----------|-------------------|----------|
| 11 | 12" | 12SERVICEDUCTKIT | DW1207LT | 2 | A0028896 / DW12RERI2PCS | 8 | A0031100 / 1/4-20 X 1 | 16 | A0005690 / 1/4-20 | 16 |
| 13 | 14" | 14SERVICEDUCTKIT | DW1407LT | 2 | A0028897 / DW14RERI2PCS | 8 | A0031100 / 1/4-20 X 1 | 16 | A0005690 / 1/4-20 | 16 |
| 15 | 16" | 16SERVICEDUCTKIT | DW1607LT | 2 | A0028898 / DW16RERI2PCS | 8 | A0031100 / 1/4-20 X 1 | 16 | A0005690 / 1/4-20 | 16 |
| 18 | 20" | 20SERVICEDUCTKIT | DW2007LT | 2 | A0028900 / DW20RERI2PCS | 8 | A0031100 / 1/4-20 X 1 | 16 | A0005690 / 1/4-20 | 16 |
| 20 | 20" | 20SERVICEDUCTKIT | DW2007LT | 2 | A0028900 / DW20RERI2PCS | 8 | A0031100 / 1/4-20 X 1 | 16 | A0005690 / 1/4-20 | 16 |
| 24 | 24" | 24SERVICEDUCTKIT | DW2407LT | 2 | A0028903 / DW24RERI2PCS | 8 | A0031100 / 1/4-20 X 1 | 16 | A0005690 / 1/4-20 | 16 |
| 30 | 24" | 24SERVICEDUCTKIT | DW2407LT | 2 | A0028903 / DW24RERI2PCS | 8 | A0031100 / 1/4-20 X 1 | 16 | A0005690 / 1/4-20 | 16 |
| 36 | 30" | 30SERVICEDUCTKIT | DW3007LT | 2 | A0030878 / DW30RERI2PCS | 8 | A0024297 / 3/8-16 X 1 | 16 | A0005688 / 3/8-16 | 16 |

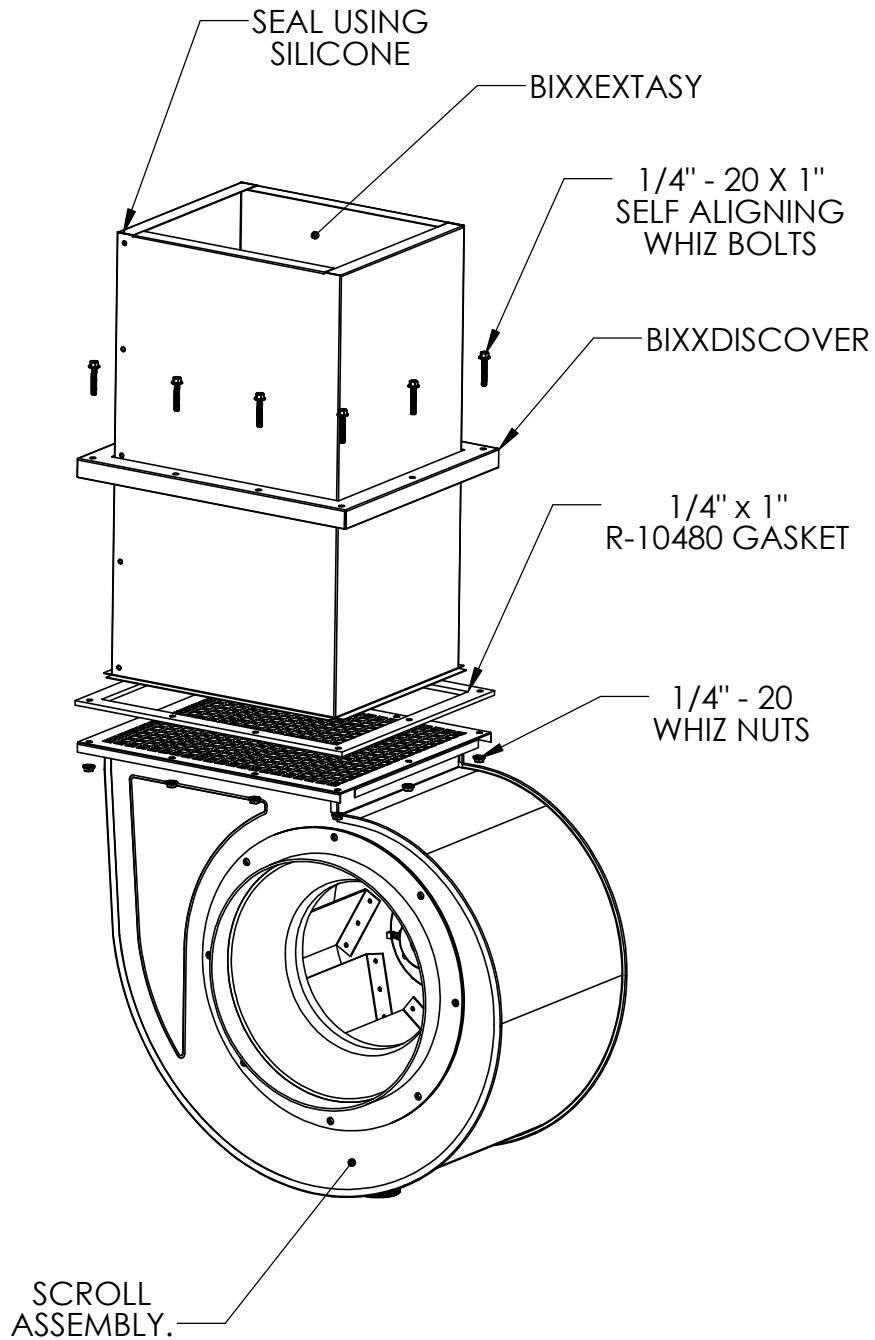
BI - Label Locations - Up Blast Utility Set



| Labels - Curb Mounted Utility Set | | |
|-----------------------------------|---|----------|
| Item # | Label Description | Quantity |
| 1 | Name Brand Label | 1 |
| 3 | ETL Label | 2 |
| 4 | AMCA Air & Sound | 1 |
| 5 | QC Passed Label | 1 |
| 7 | Rotation Label CCW | 1 |
| 9 | Belt Size Label | 1 |
| 11 | Loose Items Label | 1 |
| 12 | ATTENTION ! VFD Label | 1 |
| 13 | Bearing Grease Label | 1 |
| 14 | Disconnect Switch Label | 1 |
| 15 | Lifting Locations Under Motor Cover Label | 1 |



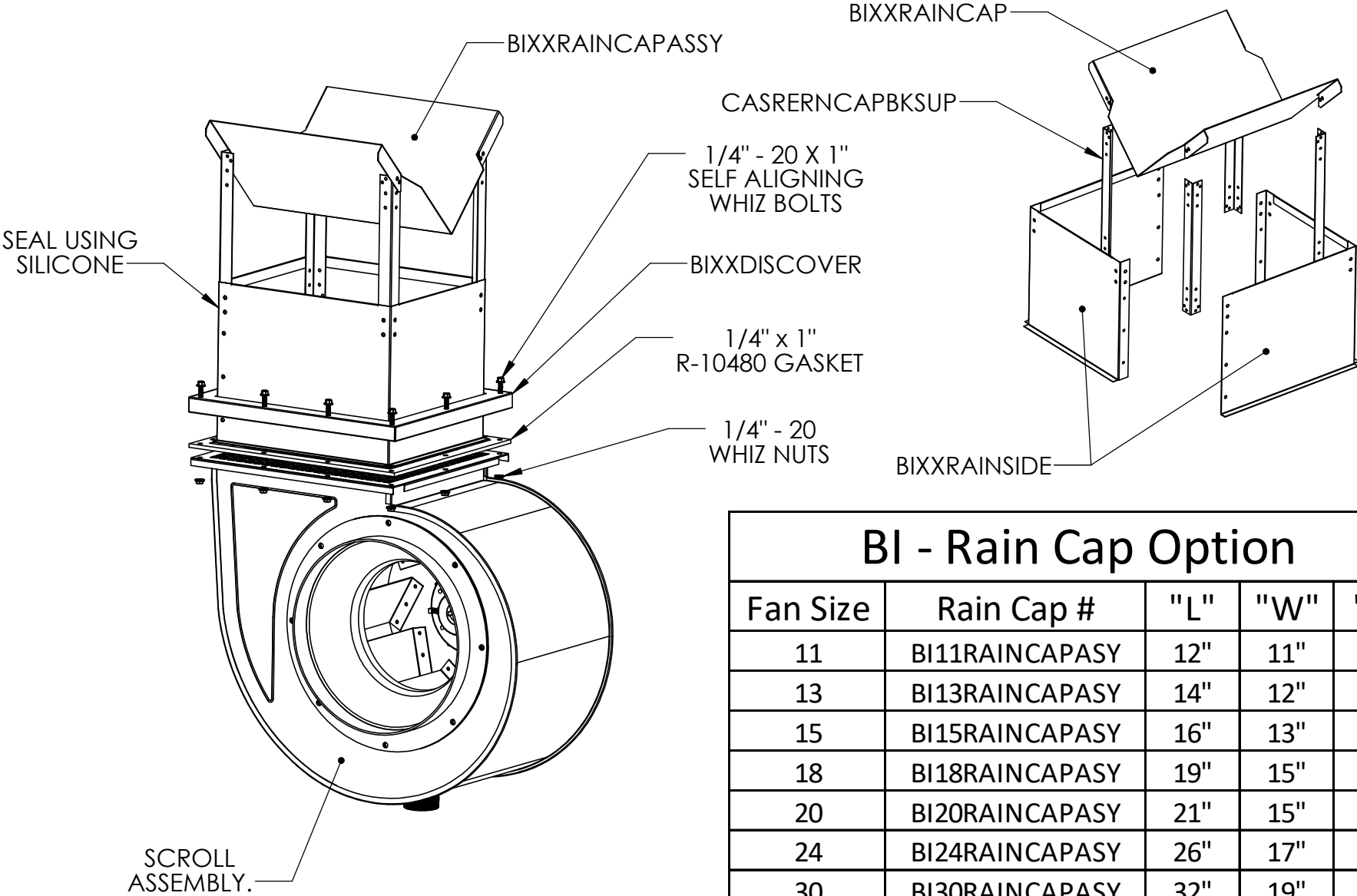
Discharge Extension Options - Up Blast Utility Set



| Hardware Counts | |
|---|--------------|
| Hardware # Bolt / Nut | Hardware Qty |
| 1/4" - 20 x 1" (0120763.0800) / 1/4" - 20 (94831A029) | 8 |
| 1/4" - 20 x 1" (0120763.0800) / 1/4" - 20 (94831A029) | 8 |
| 1/4" - 20 x 1" (0120763.0800) / 1/4" - 20 (94831A029) | 8 |
| 1/4" - 20 x 1" (0120763.0800) / 1/4" - 20 (94831A029) | 12 |
| 1/4" - 20 x 1" (0120763.0800) / 1/4" - 20 (94831A029) | 12 |
| 1/4" - 20 x 1" (0120763.0800) / 1/4" - 20 (94831A029) | 12 |
| 1/4" - 20 x 1" (0120763.0800) / 1/4" - 20 (94831A029) | 12 |
| 1/4" - 20 x 1" (0120763.0800) / 1/4" - 20 (94831A029) | 14 |

| BI - Discharge Extension | | | | | |
|--------------------------|-------------|-----|-----|-----|--------------|
| Fan Size | Extension # | "L" | "W" | "H" | Cover # |
| 11 | BI11EXTASY | 12" | 11" | 24" | BI11DISCOVER |
| 13 | BI13EXTASY | 14" | 12" | 24" | BI13DISCOVER |
| 15 | BI15EXTASY | 16" | 13" | 24" | BI15DISCOVER |
| 18 | BI18EXTASY | 19" | 15" | 24" | BI18DISCOVER |
| 20 | BI20EXTASY | 21" | 15" | 24" | BI20DISCOVER |
| 24 | BI24EXTASY | 26" | 17" | 24" | BI24DISCOVER |
| 30 | BI30EXTASY | 32" | 19" | 24" | BI30DISCOVER |
| 36 | BI36EXTASY | 39" | 23" | 24" | BI36DISCOVER |

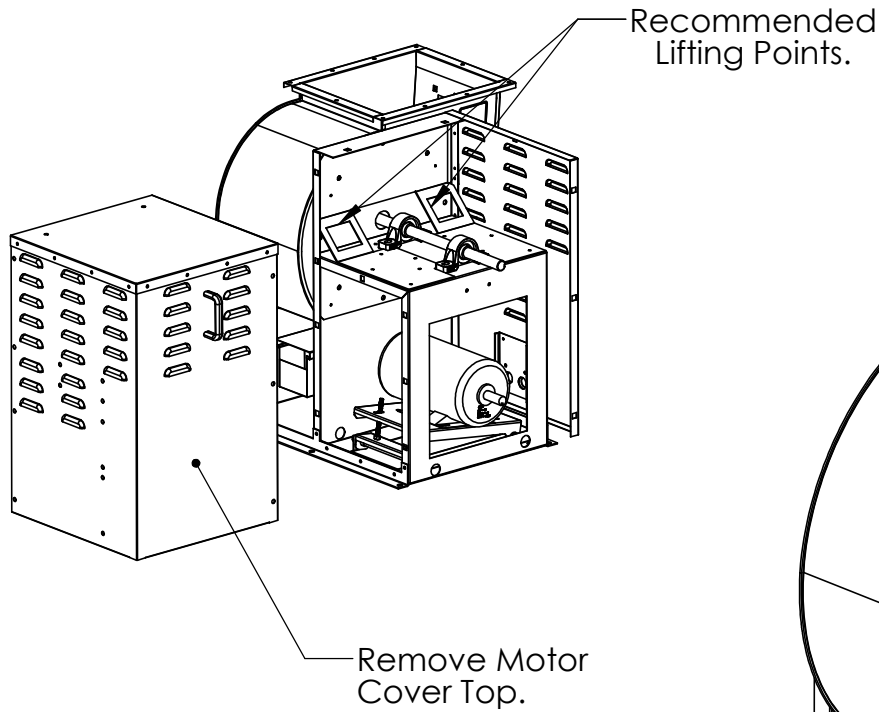
Discharge Rain Cap Options - Up Blast Utility Set



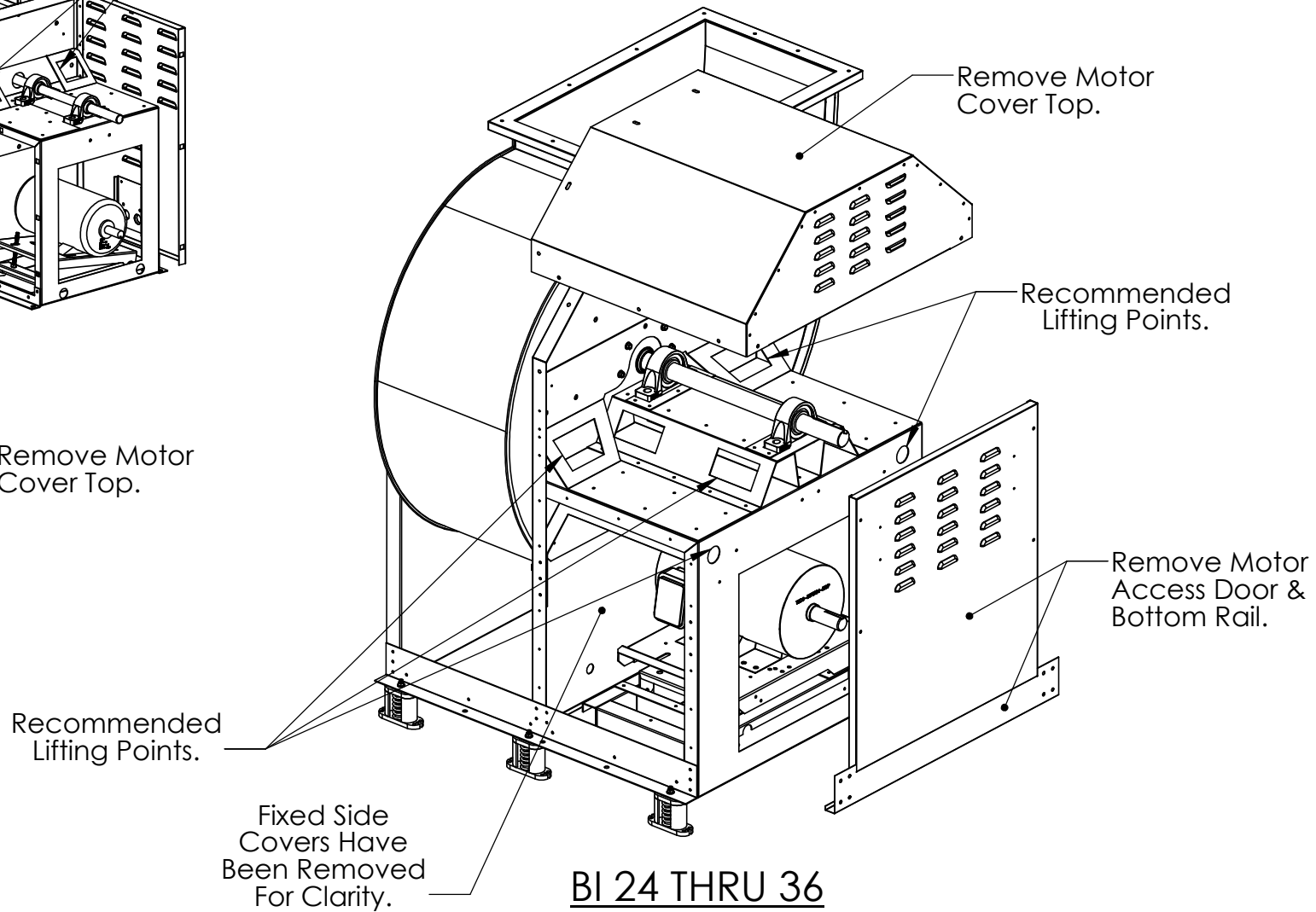
| BI - Rain Cap Option | | | | |
|----------------------|----------------|-----|-----|-----|
| Fan Size | Rain Cap # | "L" | "W" | "H" |
| 11 | BI11RAINCAPASY | 12" | 11" | 22" |
| 13 | BI13RAINCAPASY | 14" | 12" | 22" |
| 15 | BI15RAINCAPASY | 16" | 13" | 22" |
| 18 | BI18RAINCAPASY | 19" | 15" | 24" |
| 20 | BI20RAINCAPASY | 21" | 15" | 24" |
| 24 | BI24RAINCAPASY | 26" | 17" | 24" |
| 30 | BI30RAINCAPASY | 32" | 19" | 24" |
| 36 | BI36RAINCAPASY | 39" | 23" | 26" |

Lifting Points - Up Blast Utility Set

BI 11 THRU 20



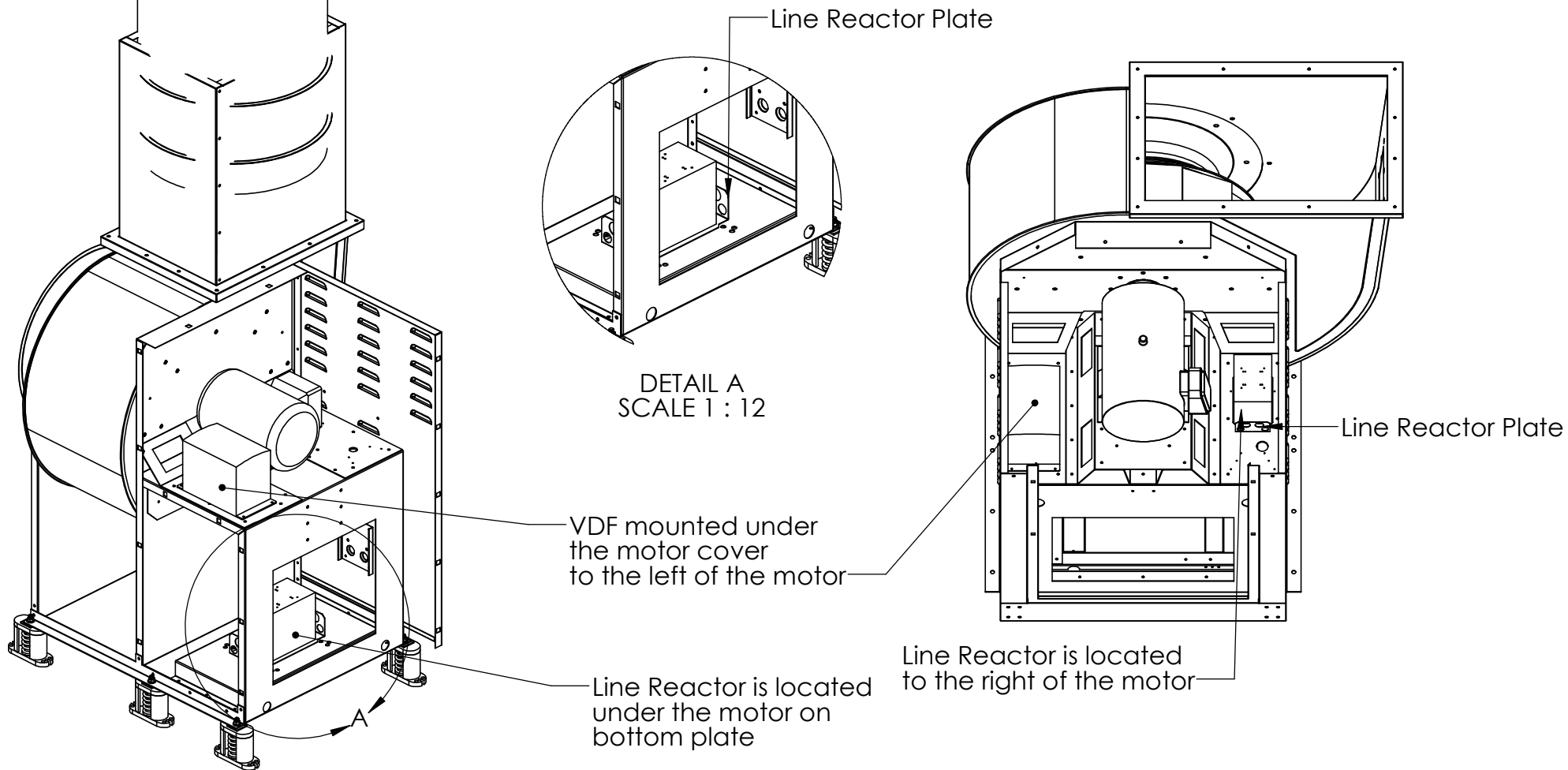
NEVER LIFT BD FANS FROM
THE SHAFT & BEARINGS.



Direct Drive VFD Mounting Option

BI11-20DD

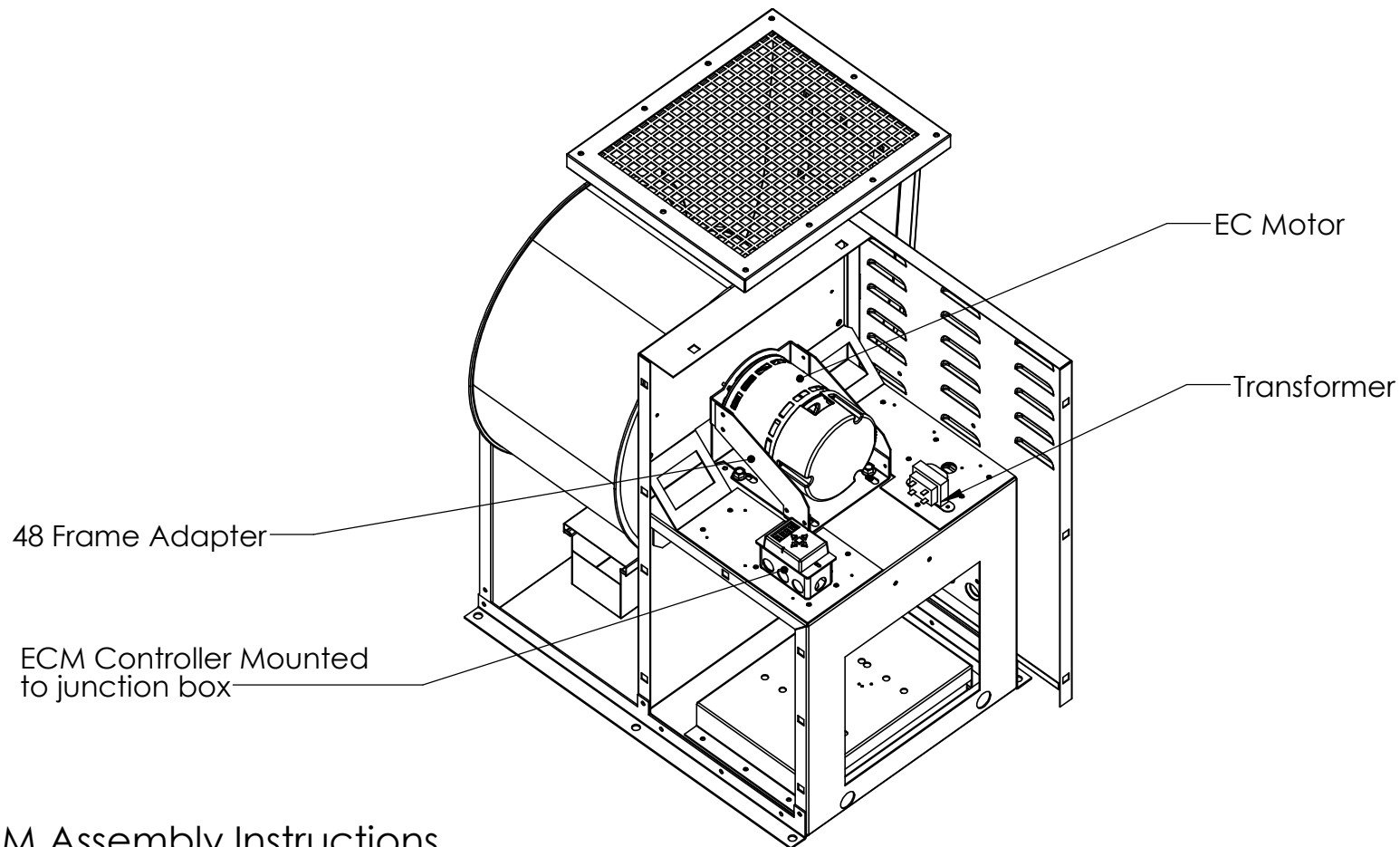
BI24-36DD



VFD Mount Option Instructions

1. Align the VFD to the left of the motor with the .130" pilot holes in the motor support plate. Mount the VFD using (4) sheet metal screws.
2. Place the Line Reactor on top of the line reactor plate.
3. For sizes 11-20, mount the line reactor /plate on the bottom plate using (4) sheet metal screws.
4. For sizes 24-36, mount the line reactor/ plate to the right of the motor on the support plate using (4) sheet metal screws.
5. Wire from the disconnect to the line reactor using conduit and conduit connectors to terminate the wiring.
6. Wire from the line reactor to the VFD using conduit and conduit connectors. Run conduit through the conduit hole in the motor support plate.
7. Wire from the VFD to the motor using conduit and conduit connectors.

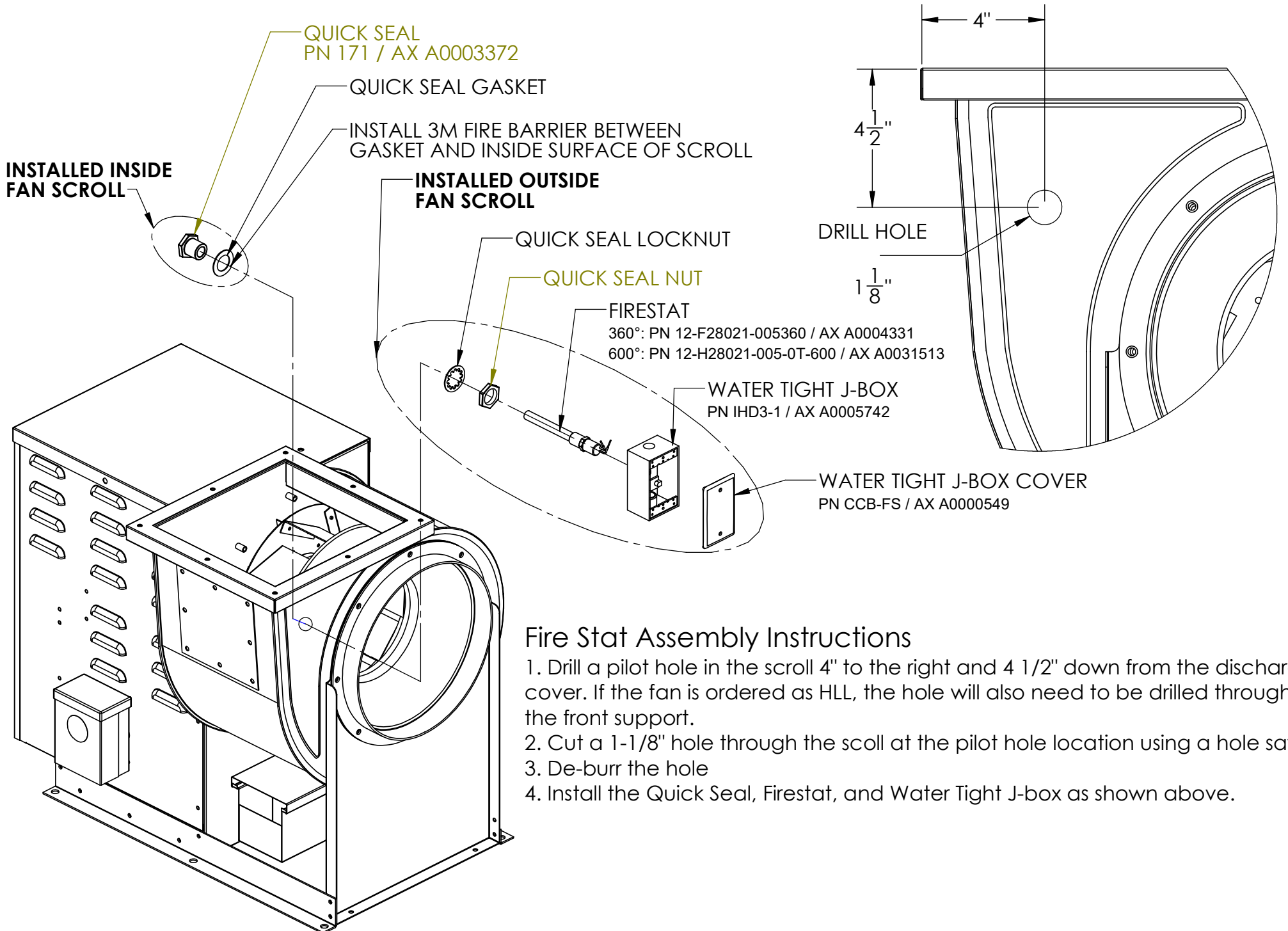
Direct Drive ECM Assembly



ECM Assembly Instructions

1. Install nuts onto motor face bolts to act as a spacer between the motor face and adapter plate.
2. Install the EC Motor onto the 48 Frame adapter with nuts on the motor through bolts.
3. Place motor and adapter onto the motor plate. Insert the wheel into the scroll and install the wheel onto the motor shaft.
4. Line up the wheel so that it overlaps the inlet by 1/4".
5. Secure the motor adapter to the motor plate using 3/8" hardware.
6. Install the junction box and transformer onto the motor support plate using sheet metal screws.
7. Run SO cord from the disconnect to the 7/8" hole in the motor support plate under the junction box. Terminate using a conduit connector.
8. Run the ECM wire harness from the junction box to the transformer and the motor.
9. Install the ECM controller onto the junction box.

USBI Fire Stat Installation



Fire Stat Assembly Instructions

1. Drill a pilot hole in the scroll 4" to the right and 4 1/2" down from the discharge cover. If the fan is ordered as HLL, the hole will also need to be drilled through the front support.
2. Cut a 1-1/8" hole through the scroll at the pilot hole location using a hole saw.
3. De-burr the hole
4. Install the Quick Seal, Firestat, and Water Tight J-box as shown above.